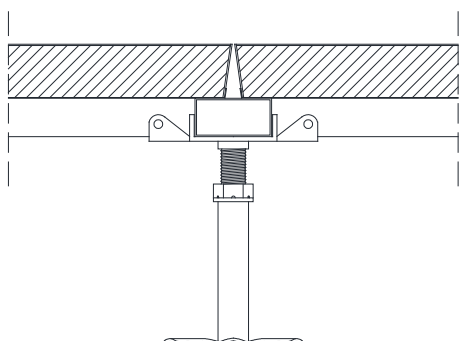
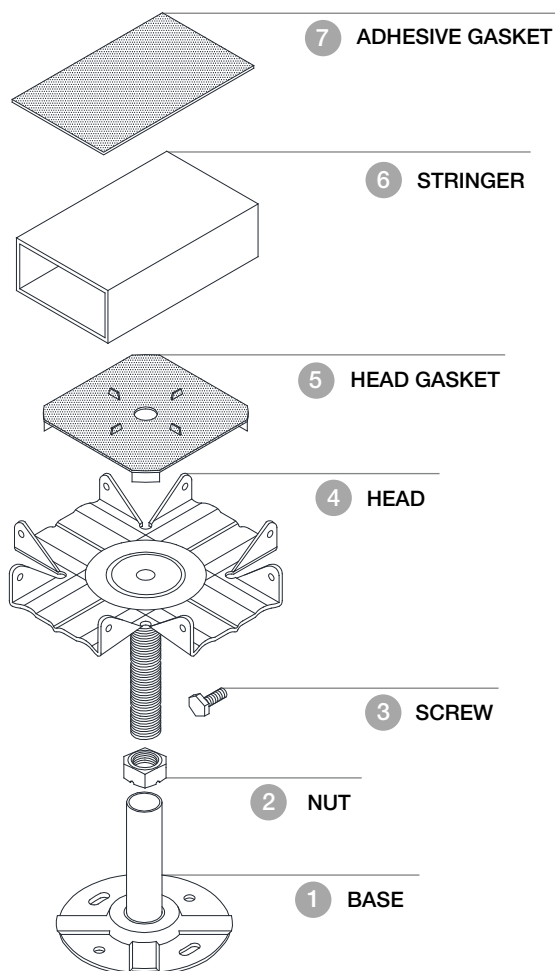


STRUCTURE DATA SHEET



STC STRUCTURE

A structure engineered to bear extra heavy loads with adjustable pedestals made of pressed and galvanized steel with height adjustment range from 85 mm to over 1060 mm. The pedestals are set in links with distance of 600 x 600 mm and are composed of:



1 BASE

The round base which has a diameter of 95 mm (thickness of 1,5 mm) and/or 100 mm (thickness of 2,5 mm) according to the height of the M16 welded, threaded shaft. The height level is blocked with a 6-toggle nut.

3 HEAD

A four-sided head 110 x 110 mm (thickness of 3 mm) which has M5x10 side screws for the fixing of the stringers.

5 STRINGER

Passing-through galvanized 1 mm steel stringers with box shaped profile 50 x 25 mm, available in the lengths 2400 - 1800 - 550 mm, with antistatic self-adhesive gaskets and head gaskets made of conductive polythene on request.



STC GRID STRUCTURE

Nominal measurements that are subject to minimal variations caused by mechanical deformation during machining.